



 **FLARE** SHADE

 **EXTREME MARQUEES**

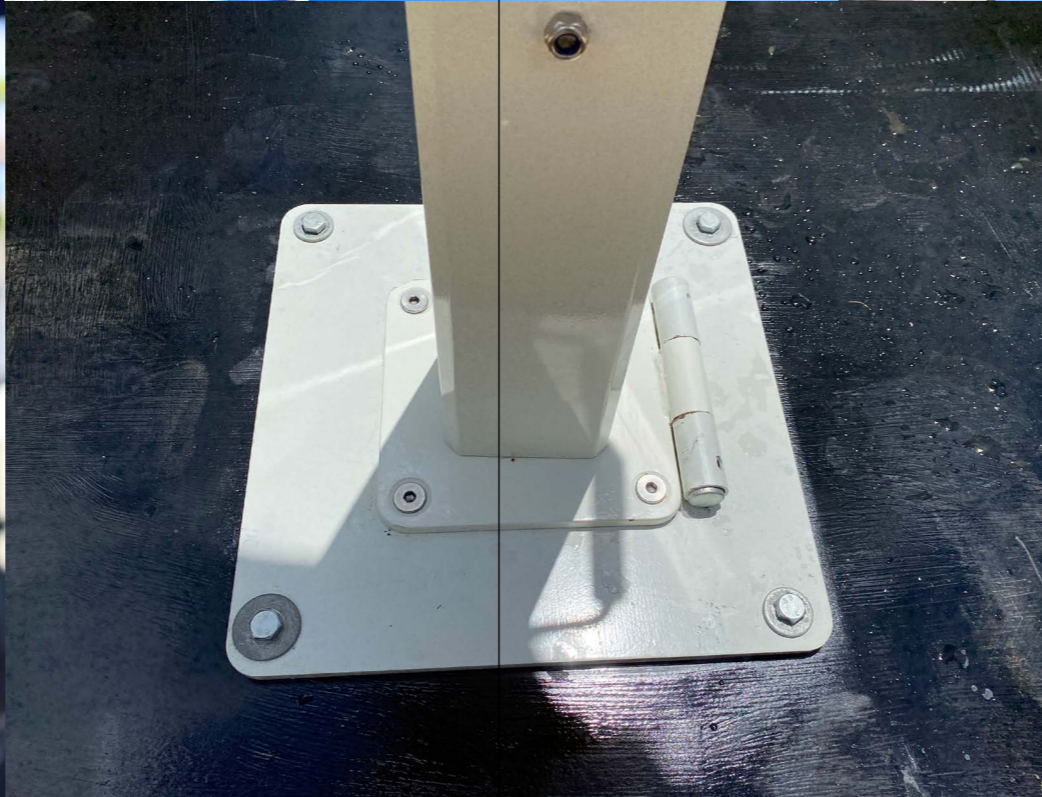
200 Spanish Series

Apart of the Commercial Umbrella Range





PRODUCT SHOWN
5m diameter - Spanish 200 Series
Spanish Recasens - Pacific



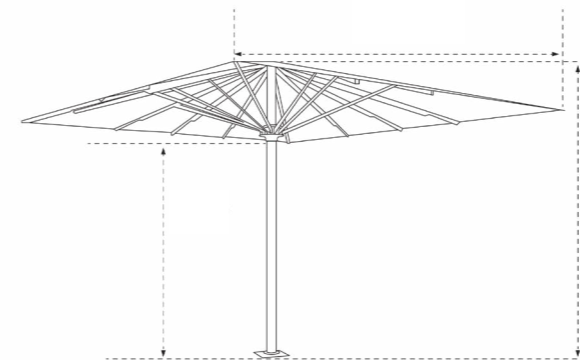


PRODUCT SHOWN
5m diameter - Spanish 200 Series
Spanish Recasens - Pacific

200 SPANISH SERIES

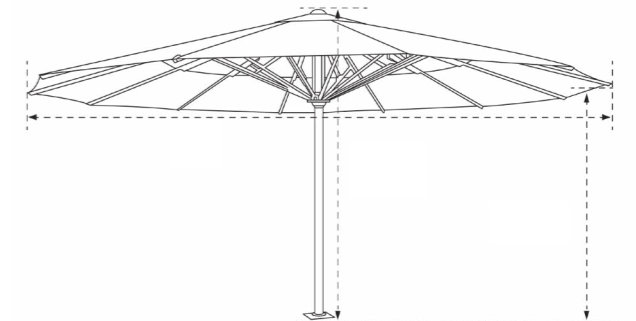
The Spanish 200 is a technically professionally engineered outdoor umbrella shade solution. The high-quality imported fabric canopy is incorporated into one of the strongest aluminium umbrella frames on the market. The pole is designed to provide a reliably stable platform on which the canopy will sit securely for many years. Built to last and maintain a level of attractive appearance expected from a shade structure of this class, the structure is complemented by the addition of imported Spanish Recasens fabric available in 20 colours. Custom branding is offered for logos and company names.

Specifications



Square

3x3m, 4x4m, 4x5m, 5x5m & 6x6m



Round

4m, 5m & 6m diameter

Specifications



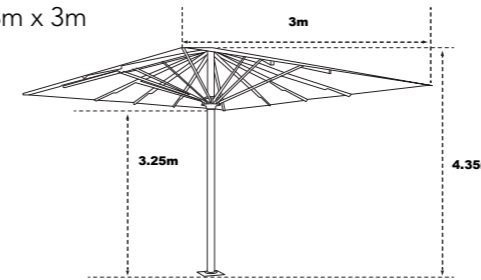
Main Frame profile
105mm x 105mm x 9mm thickness

Size	3m x 3m	4m x 4m	4m x 5m	5m x 5m	6m x 6m	4m dia.	5m dia.	6m dia.
Height	4.35m							
Clearance	3.25m	3.25m	3.25m	3.25m	3.25m	3.25m	3.25m	3.25m
Arm Span	1.5m	2m	2m/2.5m	2.5m	4.26m	2m	2.5m	4.26m
Frame Weight	83kg	88kg	88kg	110kg	155kg	83kg	88kg	110kg
Roof Weight	10kg	10kg	11kg	12kg	15kg	10kg	12kg	15kg
Frame Box Dimensions	480mm x 520mm x 600mm 240kg							
Main Pole	105mm x 105mm x 9mm							
Small Rib	30mm x 20mm x 2mm							
Large Rib	20mm x 40mm x 2mm							
Wind Rating	Open 60kph Closed 140kph							
Umbrella Base	350mm Hinged Base Plate and 600mm Hinged Base Plate							
Framework	Aluminium							
Fabric	Spanish Recasens							
Manufacturer's Warranty	Frame: 4 Years Recasens Fabric: 5 Years							

Technical Information

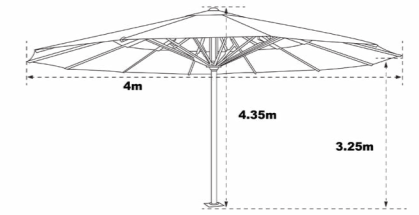
Square

3m x 3m



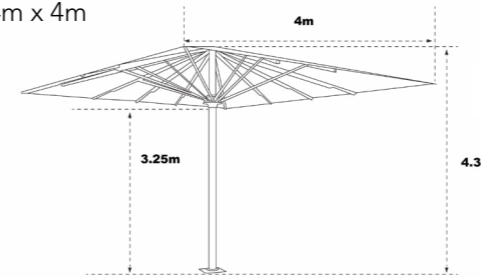
Round

4m diameter



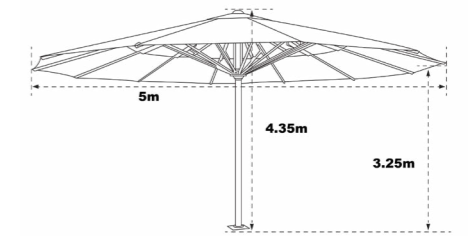
Square

4m x 4m



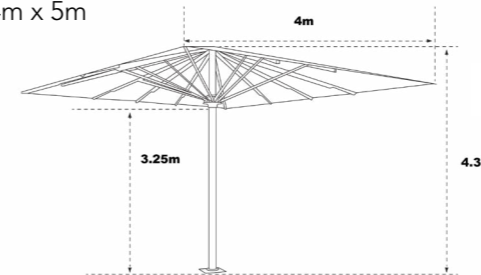
Round

5m diameter



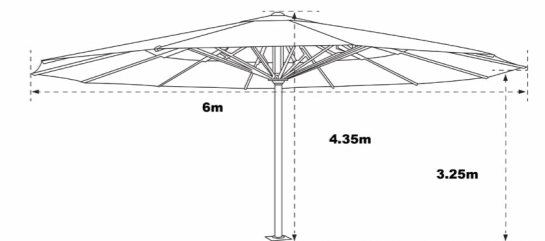
Square

4m x 5m



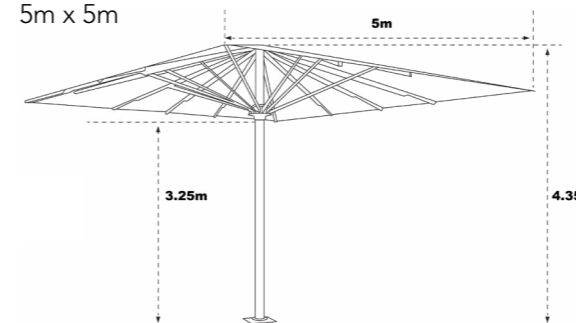
Round

6m diameter



Square

5m x 5m



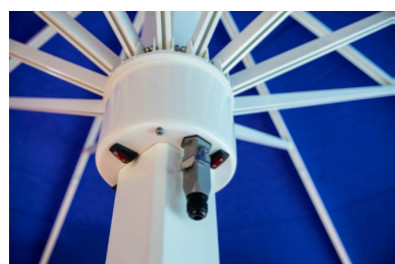
Fabric Colours

Spanish Recasens 100 & 200 Series

Extreme Marquees imports the highest quality fabric from the Recasens brand located in Spain. The fabric is a high-performance solution-dyed and fade resistant canvas that has been optimized for high tensile and tear strength. The Recasens brand has been manufacturing high quality fabrics in Spain since 1886.



Frame Colour



Printing

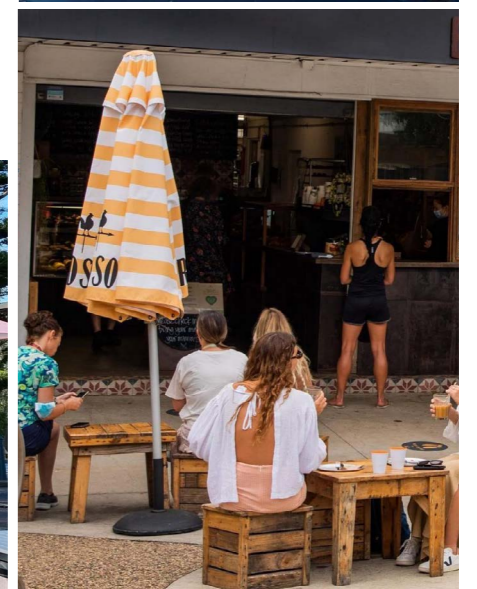
UV Printing

UV printing is a form of digital printing that uses ultra-violet lights to dry or cure ink as it is printed. As the printer distributes ink on the surface of the marquee fabric, specially designed UV lights follow close behind, "curing" or "drying" the ink instantly.

The benefits of UV printing are that it is very resistant to fading. With UV printing there is also no restrictions to the number of colours or logos on the design. UV printing is done on our heavy duty 900D PU Coated Polyester Fabric.

Screen Printing

Screen Printing is the process whereby ink is forced onto the fabric through a mesh screen. Screen printing is ideal for simple designs that are produced in higher quantities.



350mm Base Plate Ground Fixing

3x3m, 4x4m & 4m diameter

Hinged Steel Base Plate

Bottom Plate: 350mm x 350mm x 10mm

Hinge Plate: 190mm x 190mm x 355mm

Weight: 10kg aprox.

Screw sets: 4 (attach umbrella to base)

Concrete Bolts: 8 (permanent installation)



Installation

The base plate comes separated from the umbrella pole. Base is attached to the umbrella with 4 screws and washers. There are 8 concrete bolts to attach the base plate permanently to a concrete slab.

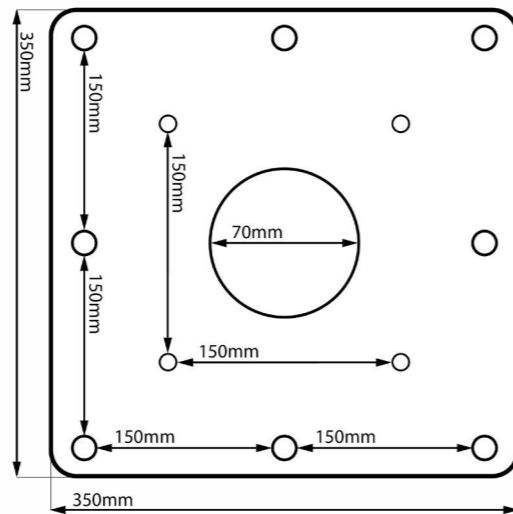
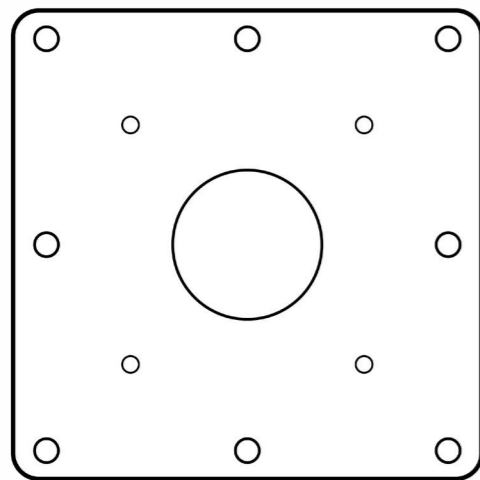


Concrete Bolt
10mm x 80mm
Bolt Hole: 15mm

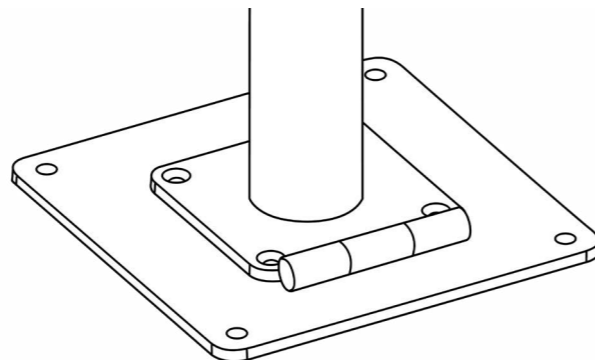
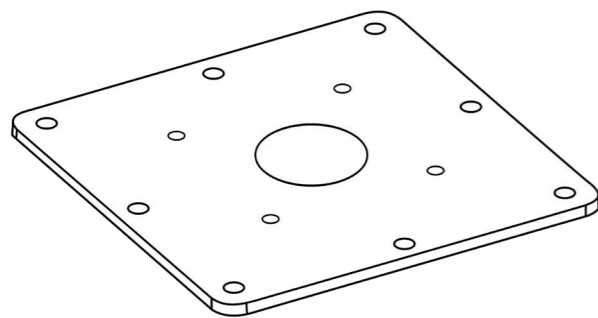


Screw
8mm x 20mm
Screw Hole: 10mm

Bolt & Screw Measurement Map



Base & Umbrella Installation Example



600mm Base Plate Ground Fixing

4x5m, 5x5m, 5m diameter & 6m diameter

Hinged Steel Base Plate

Bottom Plate: 600mm x 600mm x 10mm

Hinge Plate: 300mm x 300mm x 355mm

Weight: 20kg aprox.

Screw sets: 4 (attach umbrella to base)

Concrete Bolts: 8 (permanent installation)



Installation

The base plate comes separated from the umbrella pole. Base is attached to the umbrella with 4 screws and washers. There are 8 concrete bolts to attach the base plate permanently to a concrete slab.

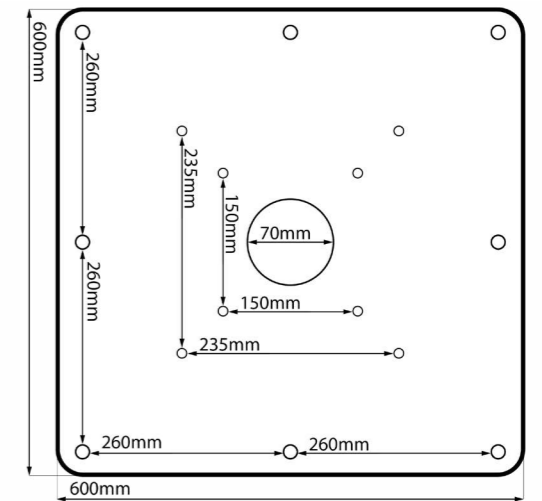
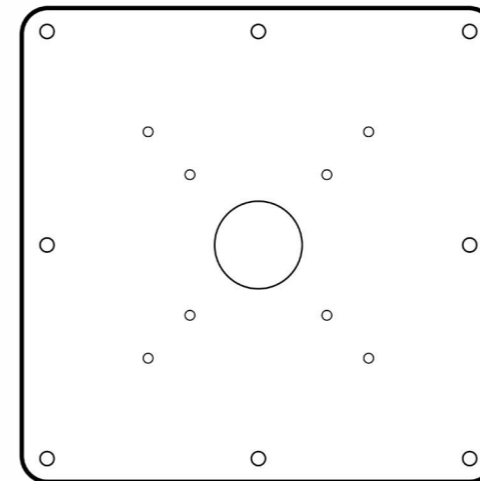


Concrete Bolt
10mm x 80mm
Bolt Hole: 15mm

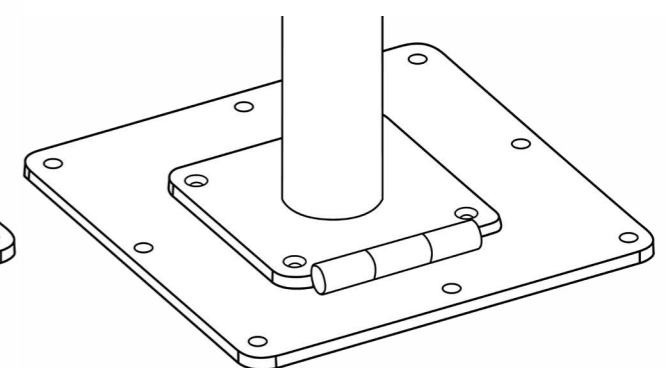
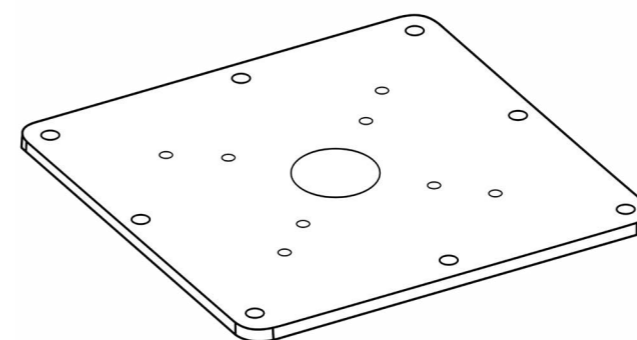


Screw
8mm x 20mm
Screw Hole: 10mm

Bolt & Screw Measurement Map



Base & Umbrella Installation Example



Engineer Certification

PDF

Enginner Cert.



<https://www.extreme-marquees.com.au/pdf/Umbrellas/Certificates/200-Spanish-Umbrella-Engineer-Cert-Round.pdf>

PDF

Foundation Cert.



<https://www.extreme-marquees.com.au/pdf/Umbrellas/Certificates/200-Spanish-FS-6m-Foundation.pdf>

PDF

Fabric Colours



<https://www.extreme-marquees.com.au/pdf/Umbrellas/Specification/Fabric-Spanish-Recasen-100&200-Series.pdf>



P 1300 667 255
admin@flare-shade.com.au
3 Bailey Court, Brendale, QLD, Australia 4500

SHOP ONLINE www.flare-shade.com.au



P 1300 850 832 **F** 07 3355 7720
admin@extreme-marquees.com.au
3 Bailey Court, Brendale, QLD, Australia 4500

SHOP ONLINE www.extreme-marquees.com.au